



ALICIA SOFA

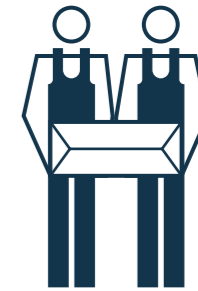


ASSEMBLY INSTRUCTIONS

DUX, DUXIANA and DUX Pascal-systems are registered  
trademark owed by Dux Design AB 2012.  
Printed 2021.02.01

[dux.com](http://dux.com)





We would like to advise to not assemble the sofa alone, always get help!  
Please make sure you use proper tools and safety equipments.

### TOOLS NEEDED

Allen key (included)

M6x60 Hex Head Bolt (included)

Ratcheting Hex Wrench (not included)

M6 Washer (included)

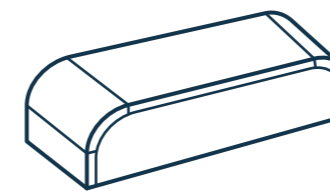
Hex Wrench Spanner (not included)

M6x25 Button-Head Bolt (included)

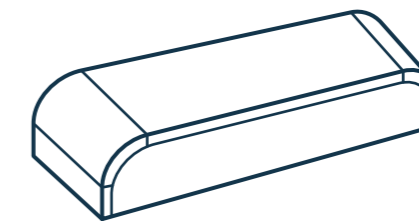


### SOFA COMPONENTS

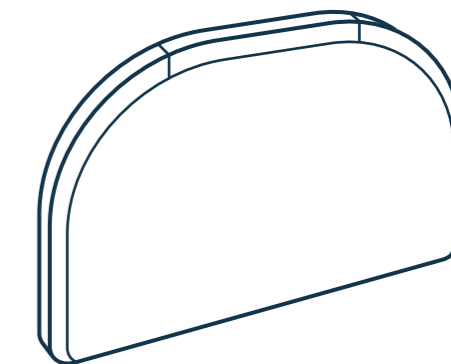
Note that some components may not be applicable depending that sofa configuration that you have chosen.



Armrest 610

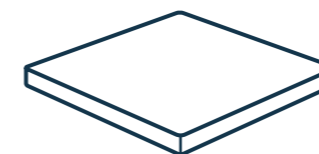


Armrest 960

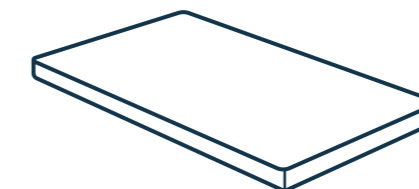


Backrest

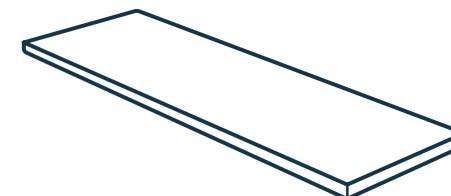
Integrated Table

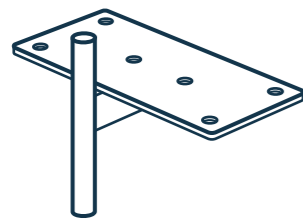


Integrated Table 610

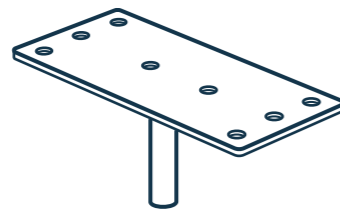


Integrated Table 960

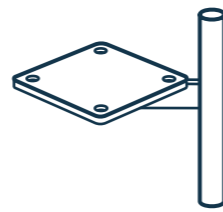




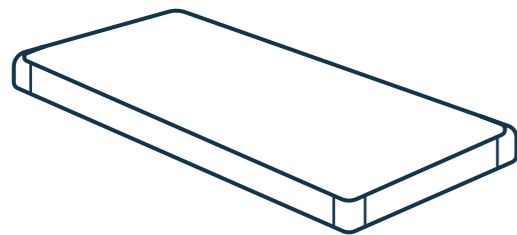
Back/Front Leg



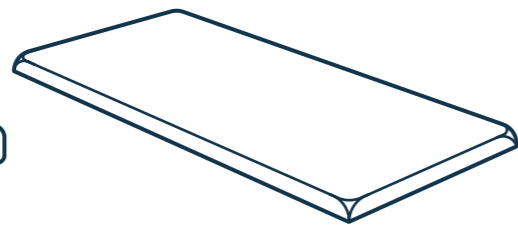
Hidden/Connector Leg



Corner Leg

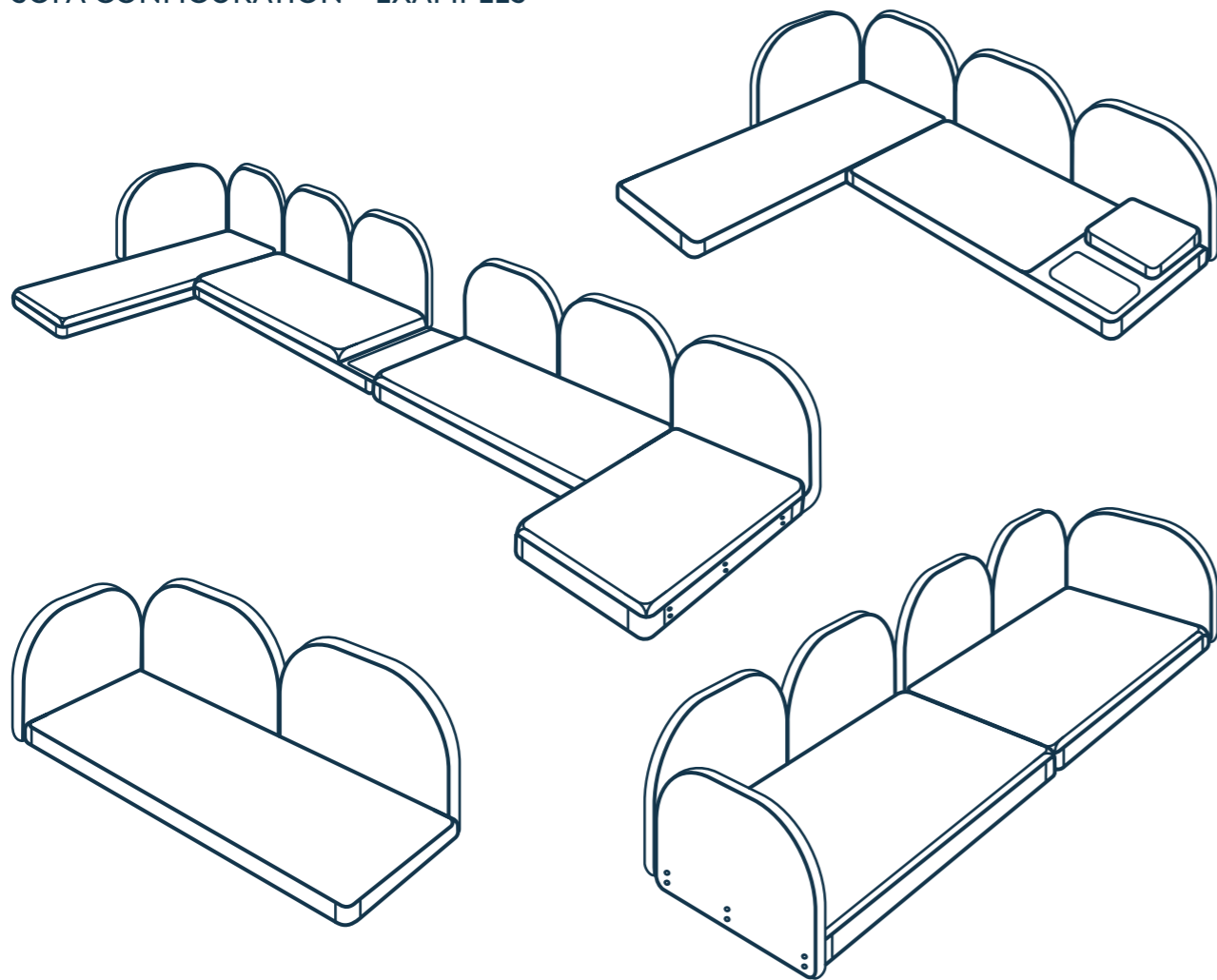


Seat Base



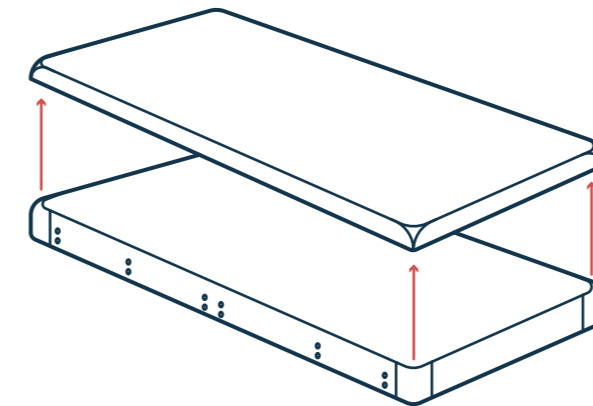
Seat Cushion

SOFA CONFIGURATION - EXAMPLES

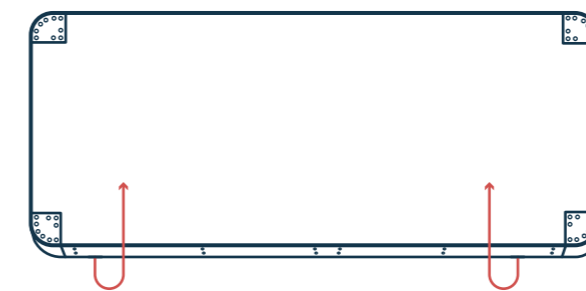


SOFA ASSEMBLY - LEGS

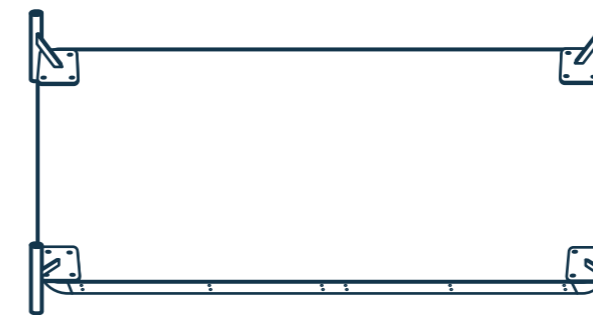
Depending the sofa combinations that was chosen, some of the screw holes may not be used!



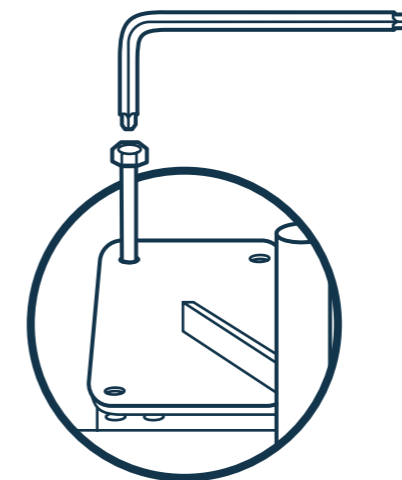
Unpack the Seat Base + Seat Cushion and remove the Seat Cushion.



Flip Sofa upside down.

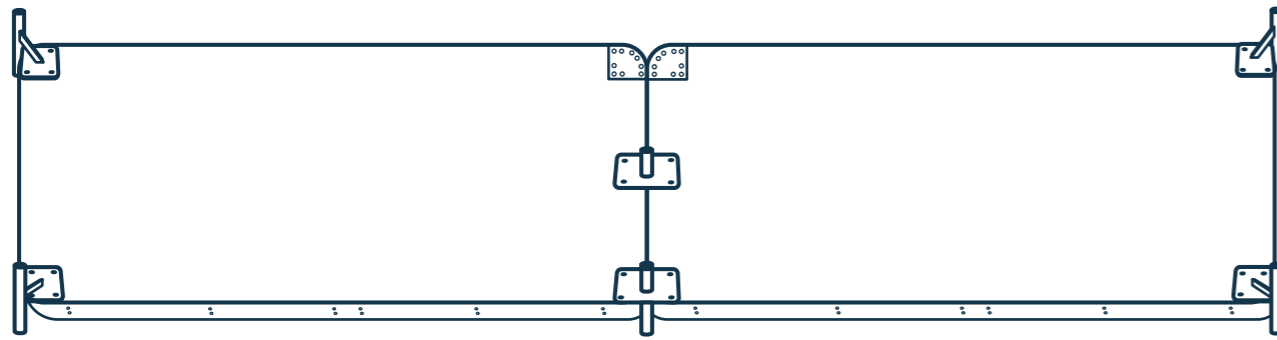


Place legs according the chosen sofa configuration.

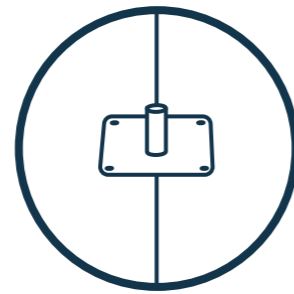


Tight the M6x25 Bolt + Washer in the correspondent holes. Corner Legs should have 5 Washers + Bolts (each leg). Please make sure the legs are aligned with the holes in the metal plate and centered in the corner.

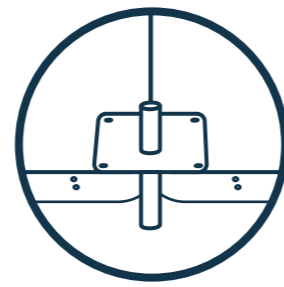
## SOFA ASSEMBLY – LEGS JOINING SOFA



To assemble two sofa modules, it will be needed a Back and a Hidden/Connector Leg. Align the Back Leg and tight the M6x25 Bolt + Washer. Same for the Hidden Leg. Please make sure the legs are centered and that the correspondent screw holes are used!



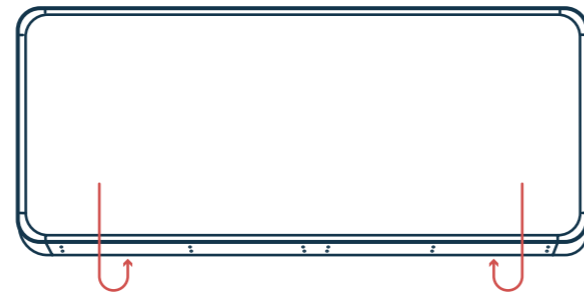
Hidden/Corner Leg



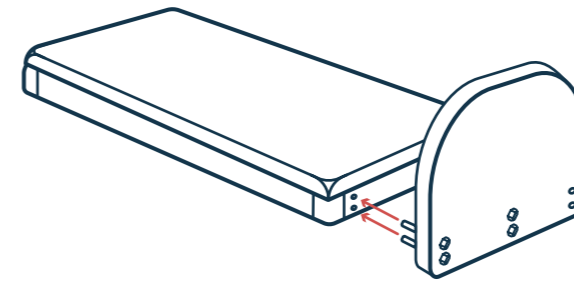
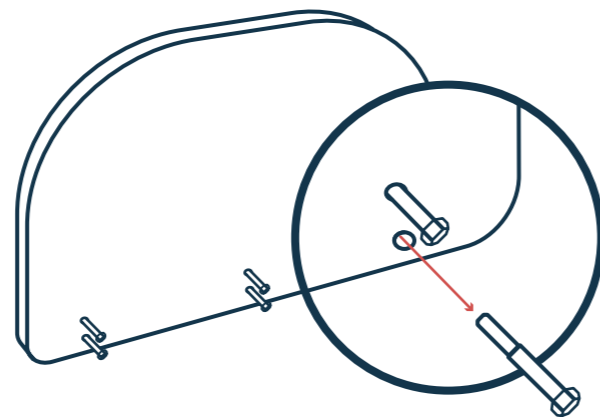
Back Leg

## SOFA ASSEMBLY – BACKREST

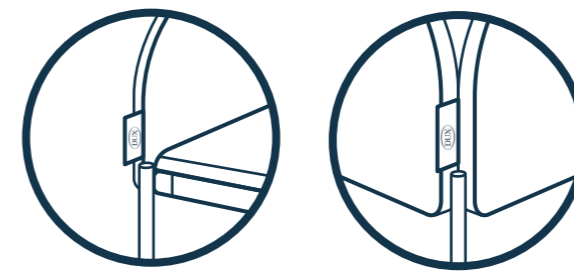
Flip Sofa again, to its right position.



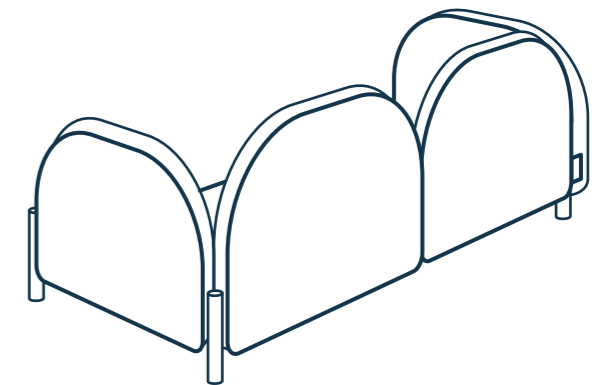
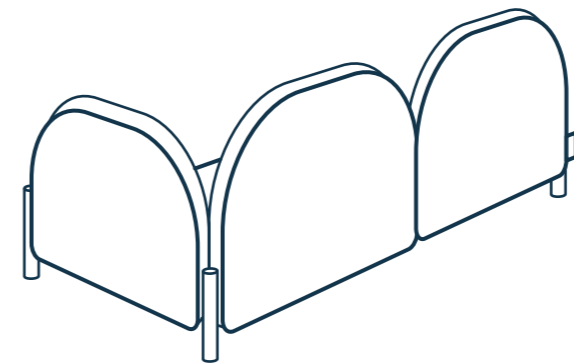
Unpack the Backrest and open the bottom zipper. Insert the M6x60 Head Bolt + Washer in Backrest (6 per Backrest).



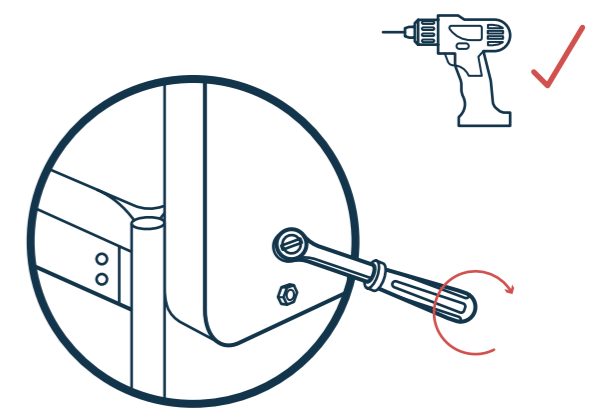
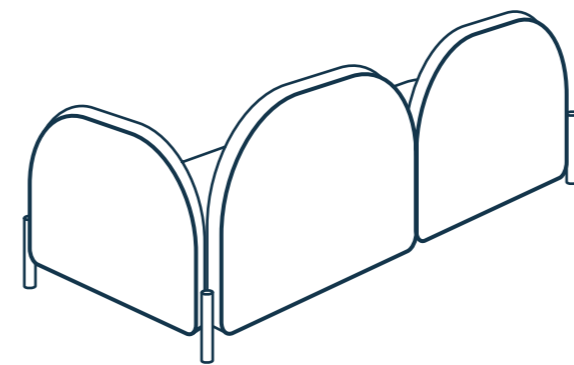
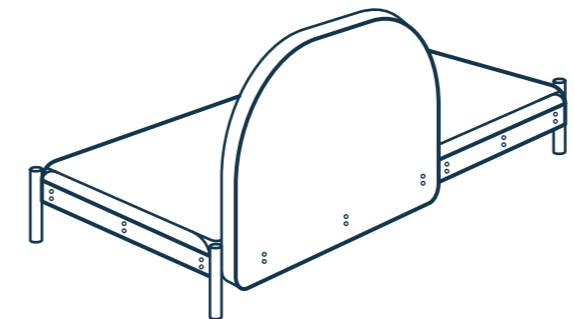
Position the bolts on the backrest in Seat Base holes and lightly screw them.



Please make sure that DUX label it's always on left hand seeing from the front of the sofa.

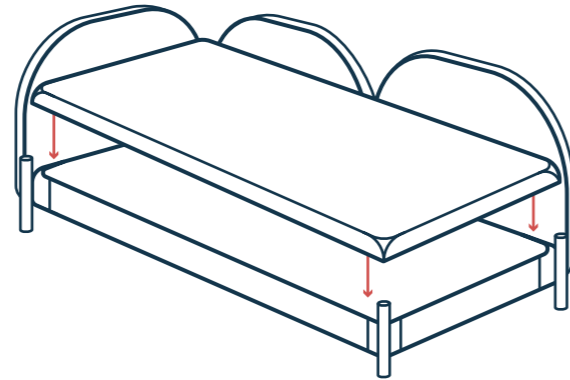


Tighten the bolts definitely, for that use a 10mm Ratcheting Hex Wrench or a Drill with a Hex Wrench Socket. Be careful to not mill the bolt! After tighten all bolts close the Backrest zipper.

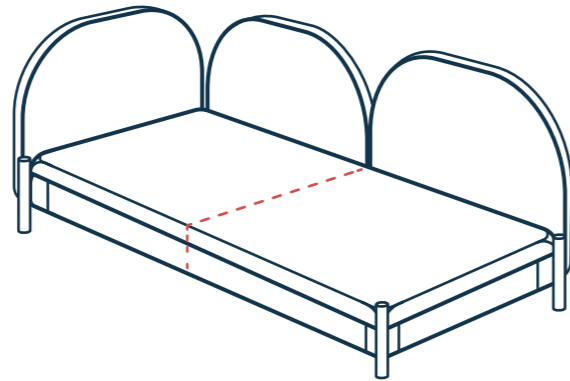


## SOFA ASSEMBLY – CUSHIONS

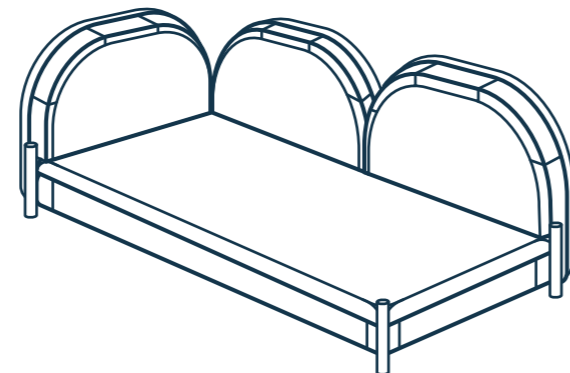
Lay Seat Cushion aligned in Seat Base.



Align both by middle stitching.



Place Backrest cushions according to the chosen sofa configuration and decorate with deco cushions. Deco cushions - The more the better!



**ENJOY YOUR NEW SOFA!**

